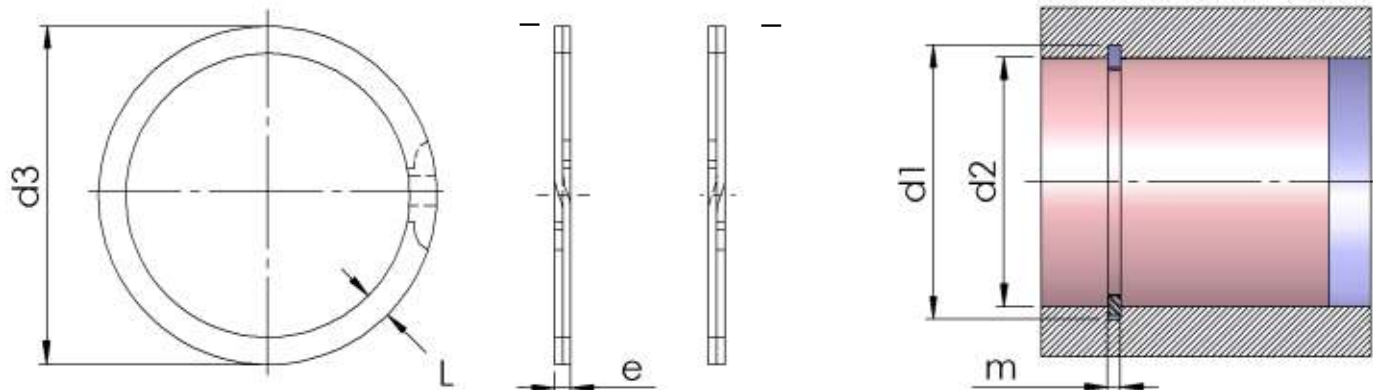


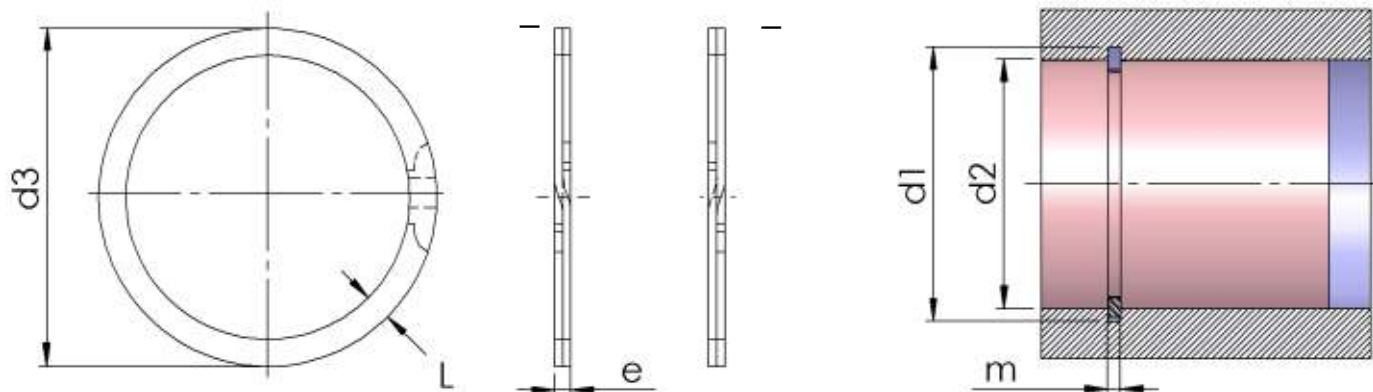
$d_3 < 40 \text{ mm}$ $d_3 > 42 \text{ mm}$



Código Agathon	Diâmetro Livre		Espessura		Largura		Ranhura				Resistência ao Cizalhamento N	Peso kg. 1000	
	d_1	d_3	$tol.$	e	$tol.$	l	$tol.$	d_2	$M/min.$	t			
PIN 12		12.90	+ 0.30 - 00	0.65	- 0.30 + 00	1.20	± 0,08	12.70	± 0,05	0.75	0.35	7880	0.21
PIN 13		14.00		0.90		1.30		13.80		1.00	0.40	11800	0.34
PIN 14		15.00		0.90		1.30		14.80		1.00	0.40	12900	0.37
PIN 15		16.10		0.90		1.30		15.90		1.00	0.45	13600	0.40
PIN 16		17.20		0.90		1.40		17.00		1.00	0.50	14500	0.45
PIN 17		18.30		0.90		1.40		18.00		1.00	0.50	15400	0.48
PIN 18		19.40		1.10		1.65		19.10		1.20	0.55	20000	0.75
PIN 19		20.50		1.10		1.65		20.20		1.20	0.60	21100	0.78
PIN 20		21.50		1.10		1.65		21.30		1.20	0.65	22200	0.82
PIN 22		23.60		1.10		1.90		23.30		1.20	0.65	24400	1.04
PIN 24		25.90		1.10		1.90	25.40	1.20	0.70	26600	1.14		
PIN 25		27.00		1.10		2.20	26.10	1.20	0.70	27800	1.36		
PIN 26		28.10		1.10		2.20	27.60	1.20	0.80	28900	1.42		
PIN 27		29.10		1.30		2.60	28.60	1.40	0.80	35400	2.03		
PIN 28		30.10		1.30		2.60	29.60	1.40	0.80	36800	2.12		
PIN 30		32.10		1.30		2.60	31.60	1.40	0.80	39400	2.28		
PIN 32		34.60		1.30		2.60	34.00	1.40	1.00	42000	2.45		
PIN 35		37.90		1.30		3.00	37.40	1.40	1.20	46000	3.08		
PIN 37		39.90		1.30		3.00	39.40	1.40	1.20	48600	3.27		
PIN 38		40.90		1.30		3.00	40.40	1.40	1.20	49900	3.37		
PIN 40		43.60	1.60	3.30	42.80	1.70	1.40	64700	4.78				
PIN 42		45.30	1.60	3.30	44.80	1.70	1.40	67900	5.04				
PIN 44		47.30	1.60	3.30	46.80	1.70	1.40	71100	5.30				
PIN 45		48.30	1.60	3.30	47.80	1.70	1.40	72800	5.49				
PIN 47		50.30	1.60	4.00	49.80	1.70	1.40	76000	6.78				
PIN 50		53.80	1.60	4.00	53.20	1.70	1.60	80800	7.26				
PIN 52		55.80	+ 0.60 - 00	2.00	4.30	± 0,13	55.20	± 0,15	2.15	1.60	105100	10.12	
PIN 55		58.80		2.00	4.30		58.20		2.15	1.60	111200	10.75	
PIN 56		59.80		2.00	4.30		59.20		2.15	1.60	113200	10.96	

O fator de segurança ao cizalhamento é de 3 a 4.

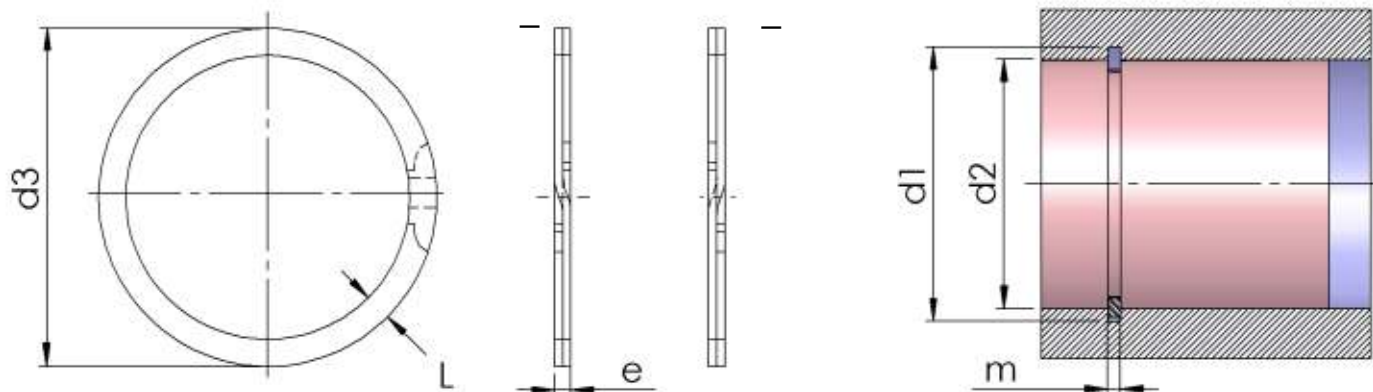
$d_3 < 40 \text{ mm}$ $d_3 > 42 \text{ mm}$



Código Agathon	Diâmetro Livre		Espessura		Largura		Ranhura				Resistência ao Cizalhamento N	Peso kg. 1000	
	d_1	d_3	tol.	e	tol.	l	tol.	d_2	tol.	M/min.			t
PIN 58	61.90			2.00		4.30		61.64		2.15	1.70	117300	11.39
PIN 60	64.00			2.00		5.00		63.40		2.15	1.70	121300	13.56
PIN 62	66.20		+ 0.7 - 0.0	2.00		5.00		65.60		2.15	1.80	125300	14.06
PIN 65	69.40			2.00		5.60		68.80		2.15	1.90	131400	16.40
PIN 68	72.60			2.00		5.60		72.00		2.15	2.00	137500	17.23
PIN 70	74.70			2.00		5.60		74.00		2.15	2.00	141500	17.78
PIN 72	77.00			2.40		5.70	± 0.13	76.40		2.60	2.20	174700	22.36
PIN 75	80.20			2.40		5.70		79.60		2.60	2.30	182000	23.38
PIN 80	85.50		2.40		6.70	84.90			2.60	2.45	194100	29.07	
PIN 85	90.70		2.40		6.70	90.00			2.60	2.50	206200	31.05	
PIN 90	96.00		- 0.9 + 0.0	2.80	- 0.08 + 0.0	7.00		95.20	± 0.15	3.00	2.60	254200	40.12
PIN 95	101.40			2.80		7.00	100.40	3.00		2.70	269000	42.54	
PIN 100	106.60			2.80		7.00	105.40	3.00		2.70	283100	44.95	
PIN 105	111.50			2.80		7.00	110.40	3.00		2.70	297300	47.37	
PIN 110	116.60			2.80		7.00	115.40	3.00		2.70	311400	49.78	
PIN 115	121.80			2.80		7.00	120.60	3.00		2.80	325600	52.20	
PIN 120	126.80		2.80	7.00	125.60	3.00	2.80	339700	54.60				
PIN 125	132.00		2.80	7.00	131.00	3.00	3.00	353900	57.00				
PIN 130	137.20		+ 1.3 - 0.0	3.20	- 0.1 + 0.0	8.80		136.00	± 0.20	3.50	3.00	420600	84.17
PIN 140	147.60			3.20		8.80	146.00	3.50		3.00	453000	91.10	
PIN 145	153.00			3.20		8.80	151.60	3.50		3.30	469200	94.60	
PIN 150	157.90		3.20	8.80	156.60	3.50	3.30	485400	98.00				
PIN 160	168.00		+ 1.4 - 0.0	4.00	- 0.13 + 0.0	9.60	± 0.15	166.60	± 0.20	4.30	3.30	647200	142.40
PIN 165	173.60			4.00		9.60		172.00		4.30	3.50	667400	147.16
PIN 170	179.00			4.00		9.60		177.00		4.30	3.50	687600	151.90

O fator de segurança ao cisalhamento é de 3 a 4.

$d_3 < 40 \text{ mm}$ $d_3 > 42 \text{ mm}$



Código Agathon	Diâmetro Livre		Espessura		Largura		Ranhura		Resistência ao Cizalhamento N	Peso kg. 1000		
	d_1	d_3	e	tol.	l	tol.	d_2	tol.				
PIN 180	189.00		4.00		9.60		187.80		4.30	3.90	728000	161.37
PIN 190	199.40		4.00		10.60		198.00		4.30	4.00	922200	187.60
PIN 200	210.00		4.00		10.60	± 0.15	208.00		4.30	4.00	970800	198.00
PIN 210	220.60		4.80		11.00		218.60		5.10	4.30	1019300	259.00
PIN 215	226.00		4.80		11.00		224.00		5.10	4.50	1043600	265.60
PIN 220	231.00		4.80		11.00		229.00		5.10	4.50	1067800	272.14
PIN 225	236.60		4.80		11.00		234.60		5.10	4.80	1092100	278.65
PIN 230	241.60		4.80		11.00		239.60		5.10	4.80	1116400	285.16
PIN 240	252.00		4.80		12.70		250.00		5.10	5.00	1164900	341.70
PIN 250	262.40		4.80		12.70		260.00		5.10	5.00	1213500	356.75
PIN 260	273.00		4.80		12.70		270.60		5.10	5.30	1262000	371.78
PIN 270	284.00		4.80		12.70		281.00		5.10	5.50	1310500	386.80
PIN 280	294.60		4.80		12.70		292.00		5.10	6.00	1359100	401.85
PIN 290	305.00		4.80		12.70		302.00		5.10	6.00	1407600	416.88
PIN 300	315.00		4.80		14.20		312.00		5.10	6.00	1456200	480.40
PIN 310	325.00		4.80		14.20		322.00		5.10	6.00	1504700	497.22
PIN 320	335.00		4.80		14.20		332.00		5.10	6.00	1553200	514.00
PIN 340	355.00		4.80		16.80		352.00		5.10	6.00	1650300	619.80
PIN 360	375.00		4.80		16.80		372.00		5.10	6.00	1747100	682.52
PIN 370	385.00		4.80		19.10		382.00		5.10	6.00	1795900	793.37
PIN 380	395.00		4.80		19.10		392.00		5.10	6.00	1844500	815.98
PIN 400	415.00		4.80		19.10		412.00		5.10	6.00	1941600	851.20

O fator de segurança ao cizalhamento é de 3 a 4.

Material: Aço mola

Dureza: HRC 45-50

Tratamento de Superfície: Oleado

Outros materiais e acabamentos sob encomenda